



Tributaire™ Training Tables



Versatile Tributaire training tables offer an unparalleled selection of styles to meet any need. Choose from fixed and height-adjustable bases, fixed or nesting tops, and three shapes. Add options such as power modules and modesty panels in PET felt or laminate.

Key Features

- A** **Height Options**
Available in three fixed heights, including 29, 36, and 42".
- B** **Adjustable Height**
The pneumatic or screw-adjustable base has a 29–42" range.
- C** **Inline Nesting**
The patent-pending leg allows for compact storage for multiple tables.
- D** **Top Shapes**
Choose from a variety of top shapes, including rectangle, round*, and half-Round* with two edge options, including 74P and knife.
*Nesting Only
- E** **Optional Power**
Available with 3-prong and single circuit with wire management.
- F** **Chrome**
Optional chrome for foot and mounting head (nesting only) to complement the powder-coated column.
- G** **Caster Options**
Available in three colors, including black, warm grey, and cottonwood with warm grey tread.
- H** **Glide Options**
Available in three colors, including black, warm grey, and cottonwood.
- I** **Optional Modesty Panels**
Available in PET felt and laminate.



Styles

Fixed Height Fixed Worksurface



Rectangle

W 30, 36, 42, 48, 54, 60, 66, 72, 84, 96"

D 18, 24, 30, 36"

H 29, 36, 42"



Collaborative

W 30, 36, 42, 48, 54, 60, 66, 72, 84, 96"

D 24, 30, 36"

H 29"

Pneumatic-Adjustable Fixed Worksurface



Rectangle

W 48, 54, 60, 66, 72"

D 24, 30"

H 29-42"

Set Screw-Adjustable Fixed Worksurface



Rectangle

W 48, 54, 60, 66, 72"

D 24, 30"

H 29-42"

Fixed Height Nesting Worksurface



Rectangle

W 30, 36, 42, 48, 54, 60, 66, 72"

D 18, 24, 30, 36"

H 29, 36, 42"



Collaborative

W 60, 66, 72, 84, 96"

D 24, 30, 36"

H 29"



Round

W 42, 48"

D 42, 48"

H 29"



Half-Round

W 48, 60, 72"

D 24, 30, 36"

H 29"

Pneumatic-Adjustable Nesting Worksurface



Rectangle

W 48, 54, 60, 66, 72"

D 24, 30"

H 29–42"

Set Screw-Adjustable Nesting Worksurface



Rectangle

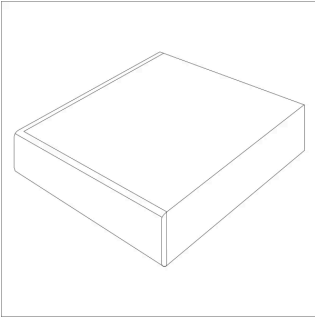
W 48, 54, 60, 66, 72"

D 24, 30"

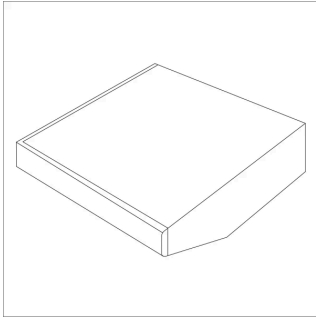
H 29–42"

Options

Edge Styles



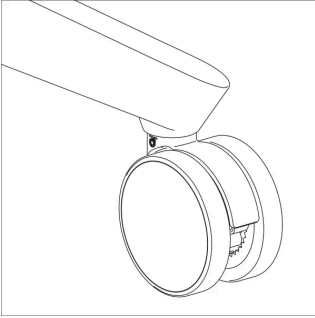
74P



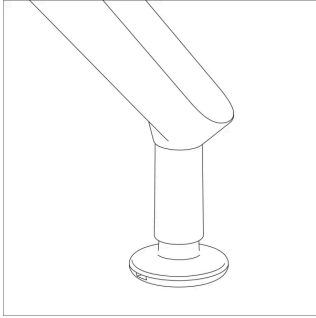
Knife

**User side only*

Feet

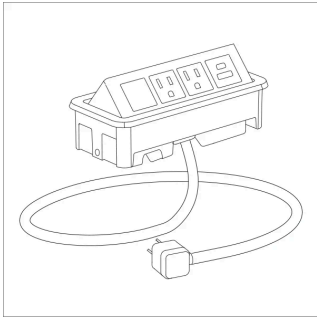


Casters

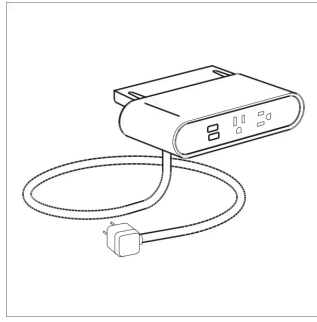


Glides

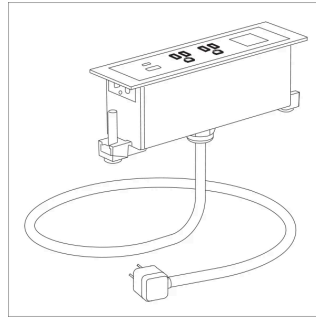
Power (single circuit or 3-prong plug)



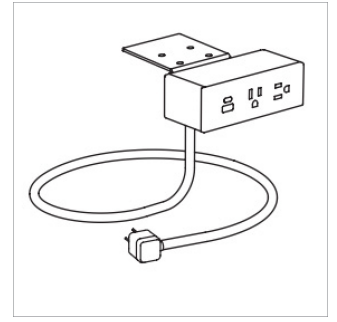
Nacre Pop-up Module



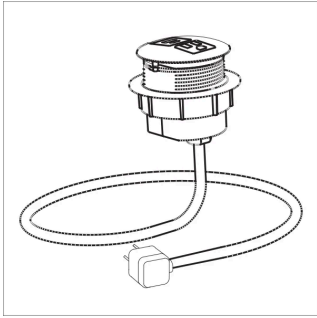
Dubbel Undersurface Module



Dean In-surface Module



Dean Undersurface Module



Node In-surface Module

Document Links

BROCHURE

[View brochure.](#)

PRICING

[View price list.](#)

PHOTOGRAPHY

[View image gallery.](#)

VIDEOS

[View product videos.](#)

SEE IT SPEC IT

[Create your own virtual spec.](#)

CAD/REVIT SYMBOLS

[View symbol library.](#)

TECH SPECS

[View product specifications.](#)

SUSTAINABILITY

[View environmental data sheet.](#)

SURFACE MATERIALS

[View approved finishes.](#)

PLANNING GUIDE

[View planning guide.](#)

Tributaire Collection

To ensure a cohesive look and optimal functionality, the Tributaire Collection offers a range of tables and complementary pieces such as credenzas, lecterns, monitor stands, and storage screens.



Training Table



Post-Leg Table



Café Table



C-Leg Table



Conference Table



Occasional Table



Storage



Lectern



Nesting Screen

WARRANTY

Lifetime

[View Terms & Conditions](#)