



Tributaire™ C-Leg Tables



Refined Tributaire C-leg tables are available in three shapes and a variety of sizes. Select optional power to stay connected and optional casters for easy movement.

Key Features

- A Table Options**
The 29" standard height table is available in three top shapes, including round, square, and rounded square.
- B Edge Options**
Choose from two edge options, including 74P and knife.
- C Feet Options**
Available with low-profile glides or casters with three color options, including black, warm grey, and cottonwood with warm grey tread.
- D Optional Power**
Available with 3-prong plug modules and wire management.
- E Chrome**
Optional chrome option for base. Chrome base includes matte black painted stringers.



Styles



Round
W 48,60"
D 48,60"
H 29"



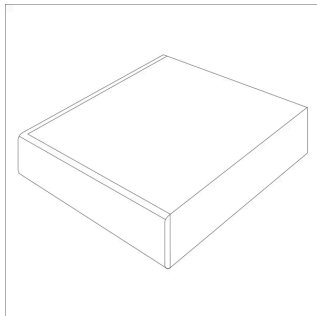
Square
W 48,60"
D 48,60"
H 29"



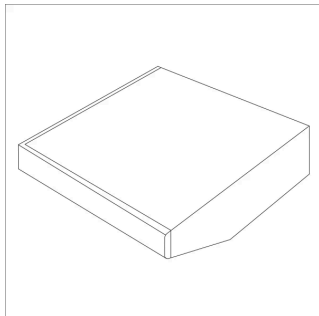
Rounded Square
W 48,60"
D 48,60"
H 29"

Options

Edge Style

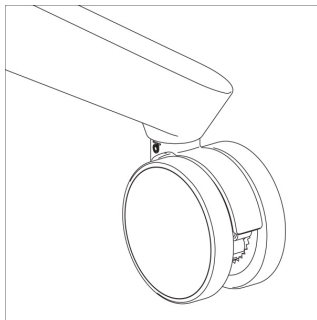


74P

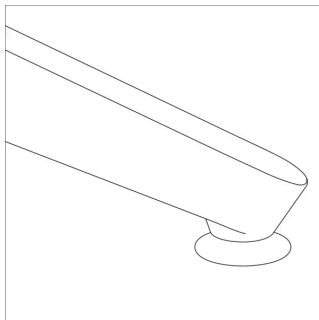


Knife

Feet

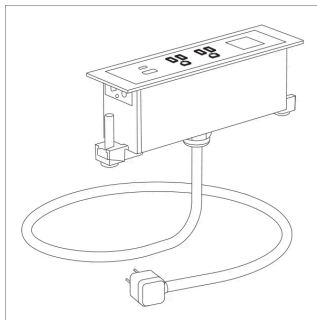


Casters

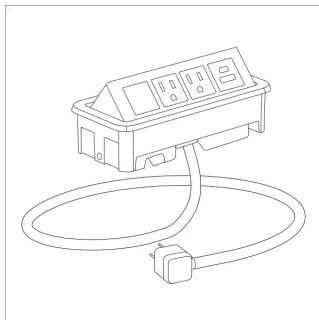


Glides

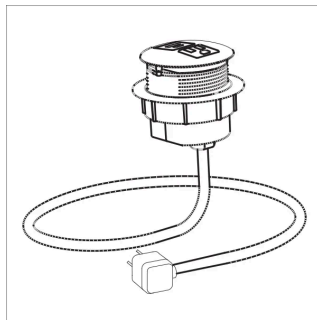
Power



Dean In-surface Module



Nacre Pop-up Module



Node In-surface Module

Document Links

BROCHURE

[View brochure.](#)

PRICING

[View price list.](#)

PHOTOGRAPHY

[View image gallery.](#)

VIDEOS

[View product videos.](#)

SEE IT SPEC IT

[Create your own virtual spec.](#)

CAD/REVIT SYMBOLS

[View symbol library.](#)

TECH SPECS

[View product specifications.](#)

SUSTAINABILITY

[View environmental data sheet.](#)

SURFACE MATERIALS

[View approved finishes.](#)

PLANNING GUIDE

[View planning guide.](#)

Tributaire Collection

To ensure a cohesive look and optimal functionality, the Tributaire Collection offers a range of tables and complementary pieces such as credenzas, lecterns, monitor stands, and storage screens.



Training Table



Post-Leg Table



Café Table



C-Leg Table



Conference Table



Occasional Table



Storage



Lectern



Nesting Screen

WARRANTY

Lifetime

[View Terms & Conditions](#)