



Strive Tandem Seating



With a variety of configurable solutions, Strive tandem seating provides comfort and cleanability in high-traffic spaces.

Design Simplicity that Elegantly Adapts

Ideal for high-traffic areas, such as waiting rooms, hallways, and public spaces, Strive tandem seating combines elegant style and design flexibility with an assortment of seat and table combinations. With a slatted flex back and contoured curves, this ergonomic solution provides comfort with upholstered seats while added arms enhance functionality.

Key Features



A Flex Comfort

Slatted back and steel supports allow back to flex for increased comfort.

B Material Options

Available as all poly, with upholstered seat, or with upholstered seat and back.

C Arms Options

Available without arms, with end arms, or with individual arms.

D Connector Tables

Optional 20" in-line and 30" corner tables provide space-planning options for straight, L-shape, or U-shape configurations.

Product Highlights



Defining Spaces

End arms provide support at the end of each run while specifying all arms improves individual user comfort and creates a separation of space.

Enhanced Functionality

Tandem configurations with in-line or corner tables provide a surface to support personal items where needed.



Meet the Family

Providing ergonomic comfort with an innovative back design, Strive seating provides a consistent aesthetic for any environment. To accommodate any need, the Strive family features stack chairs, nesting chairs, high-density stack chairs, cafe stools, high-density stools, task chairs, task stools, and tandem seating.



DESIGNER PROFILE

Giancarlo Piretti

Giancarlo Piretti (Bologna, Italy, 1940) is an Industrial Designer. Among his successful designs are Plia folding chair, his best-seller exhibited at Moma NY, Platone folding desk, and DSC (106-AXIS) seating system. For Vertebra chairs he obtained the Compasso d'Oro (Italy) as well as for his largest project, Piretti Collection office & institutional seating system. Other designs include Xylon wooden chairs, Torsion collection of institutional chairs; Engage & Impulse office chair lines featured by a synchro tilt mechanism Piretti developed; #18000 nesting & stacking chairs; and the Strive chair collection. The Pirouette nesting table and Grazie and Doni chairs for KI U.S. are G. Piretti's latest designs.



Styles



One Seat
W20" D18" H28"
With Arms: W28" D18" H28"
Seat: W18" D18" H17"



One Seat and Inline Table
W44" D20" H33"
With Arms: W50" D20" H33"
Seat: W18" D18" H17"



Two Seats
W44" D18" H33"
With Arms: W50" D18" H33"
Seat: W18" D18" H17"



Two Seats and Inline Table
W66" D20" H33"
With Arms: W72" D20" H33"
Seat: W18" D18" H17"



Three Seats
W66" D18" H33"
With Arms: W72" D18" H33"
Seat: W18" D18" H17"



Three Seats and Inline Table
W86" D20" H33"
With Arms: W94" D20" H33"
Seat: W18" D18" H17"



Four Seats
W86" D18" H33"
With Arms: W94" D18" H33"
Seat: W18" D18" H17"



Three Seats and Two Inline Tables
W108" D20" H33"
With Arms: W116" D20" H33"
Seat: W18" D18" H17"



Four Seats and Inline Table
W108" D20" H33"
With Arms: W116" D20" H33"
Seat: W18" D18" H17"



Five Seats
W108" D18" H33"
With Arms: W116" D18" H33"
Seat: W18" D18" H17"

Options

Shell Style



All Poly



Upholstered Seat



Upholstered Seat and Back

Arms



Arms



End Arms

Additional Components



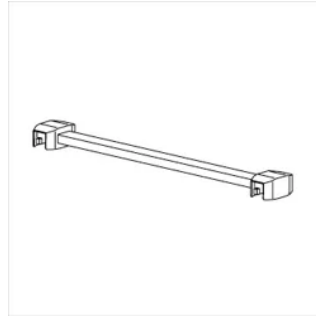
Corner Table

W30" D30"



Inline Table

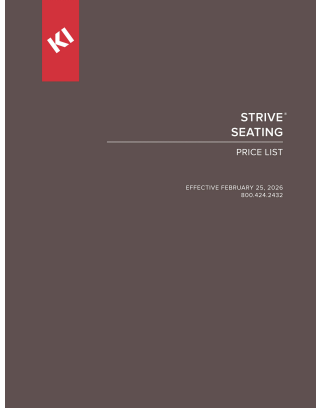
W20" D20"



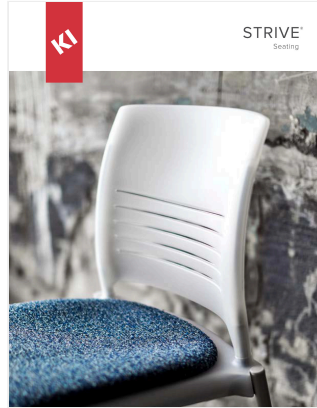
Back Ganging Bar

Materials

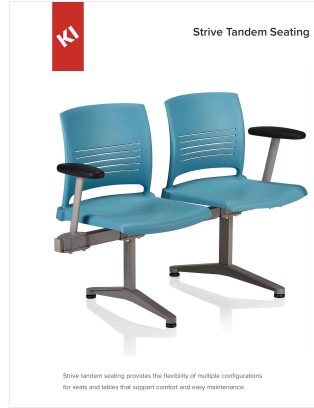
Pricing



Brochure



Cut Sheet



WARRANTY

Lifetime

[View Terms & Conditions](#)

WEIGHT RATING

400 lbs.