



Soltice[®] Recliners



Prioritizing user safety and comfort, Soltice recliners provide a welcoming and supportive experience with a traditional, residential flair.

Key Features



A Inviting Design

Traditional with a residential flair, Soltice Recliner, Recliner 1.5 and Recliner II provide a welcoming and supportive experience with a variety of features and options.

B Reclining Comfort

Recliner has 3-position recline (70°/60°/30°).
Recliner I.5 and II have infinite back tilt recline and independent ottoman engagement
Trendelenburg recline is optional on Recliner I.

C Locking Casters

Recliner: individual manual-locking 3" rear casters, non-locking front casters
Recliner I.5: all individual manual-locking 3" casters
Recliner II: all simultaneous central-locking 5" casters with a retractable footrest on compression-locking casters

D Arm Caps

Optional arm caps can be specified with wood or black poly.

E Tablet Arms

Available with top and side articulating tablet arms in laminate or veneer. Side articulating tablet arms available on right side only for recliner I.5 and II.

F Soft-Touch Handles

Angled soft-touch handles standard on Recliner. Vertical soft-touch handles standard on Recliner 1.5 and II.

G Powered Components

Heat and massage available on recliner I.5 and II. USB power available when heat and massage are specified.

H Additional Attachments

Optional I.V. pole, catheter hook, and magazine pouch are available.

I Material Options

Choose from Pallas Textiles, KI ingrade, or COM upholstery options. Specify as matching or contrasting fabric with the option to add moisture barrier. Optional Seam Saver™ protection on recliner 1.5 and II. Various wood finish options are available for the wood arm caps.

J Durability

Lifetime structural warranty and field replacement parts extend product lifespan.

K Cleanability

Push-thru design ensures debris does not get trapped between the seat and base.

Styles

Recliner



Without Tablet
W29" D37.75" H45.75"
Seat: W23.75" D21" H18.75"
Arm Height: 25.5"



Top-Mounted Articulating
Revolving
W29" D37.75" H45.75"
Seat: W23.75" D21" H18.75"
Tablet: W18" D10.6"
Arm Height: 25.5"



Side-Mounted Articulating Fold-
Down
W29" D37.75" H45.75"
Seat: W23.75" D21" H18.75"
Tablet: W13.81" D18.06"
Arm Height: 25.5"

Soltice I.5



Without Tablet
W29" D37.75" H45.75"
Seat: W24" D20" H20"
Arm Height: 27.5"



Top-Mounted Articulating
Revolving
W29" D37.75" H45.75"
Seat: W24" D20" H20"
Tablet: W18" D10.6"
Arm Height: 27.5"



Side-Mounted Articulating Fold-
Down
W29" D37.75" H45.75"
Seat: W24" D20" H20"
Tablet: W13.81" D18.06"
Arm Height: 27.5"

Soltice II



Without Tablet
W29" D37.75" H45.75"
Seat: W24" D20" H22"
Arm Height: 27.5"



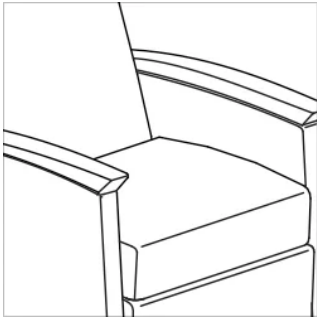
Top-Mounted Articulating
Revolving
W29" D37.75" H45.75"
Seat: W24" D20" H22"
Tablet: W18" D10.6"
Arm Height: 27.5"



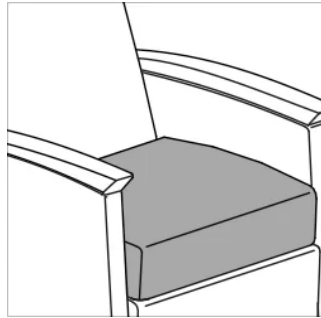
Side-Mounted Articulating Fold-
Down
W29" D37.75" H45.75"
Seat: W24" D20" H22"
Tablet: W13.81" D18.06"
Arm Height: 27.5"

Options

Upholstery

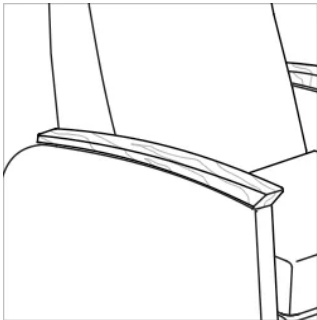


Non-Contrast

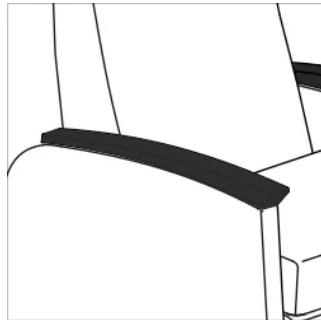


Contrast

Arm Caps



Wood

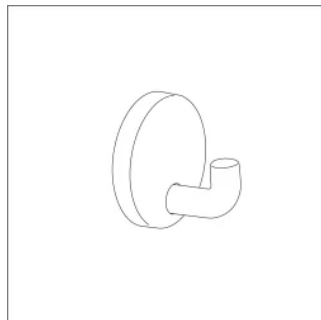


Poly

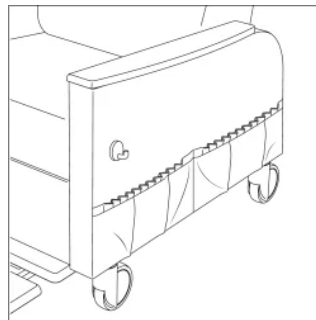
Attachments



I.V. Pole



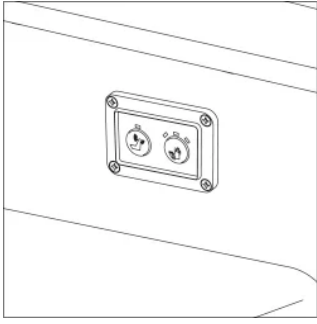
Catheter Bag Hook



Magazine Pouch

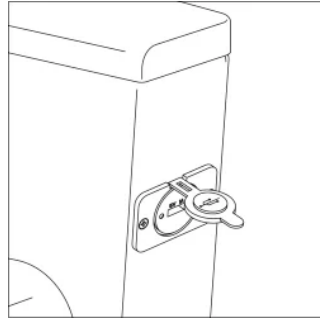
*Available Right Side Only on I.5 and II

Powered Components



Heat and Massage

*Available Only on 1.5 and II



USB Power

*Available on I.5 and II when Specified with Heat and Massage

Document Links

[Pricing →](#)

[Brochure →](#)

[Photography →](#)

[CAD/Revit Symbols →](#)

[Documents →](#)

Soltice Collection

Elevate healthcare and public spaces with the Soltice Collection, where timeless design meets residential warmth for a welcoming, comfort-driven experience.



Guest Chair >



Multiple Seating >



Lounge Seating >



Bariatric Chair >



Sleeper >



Recliners >



Occasional Tables >

WARRANTY

Lifetime

[View Terms & Conditions](#)

WEIGHT RATING

**Recliner:
400 lbs.**

WEIGHT RATING

**Recliner 1.5:
600 lbs.**

WEIGHT RATING

**Recliner II:
600 lbs.**