



## Soltice® Bariatric Chair



With a traditional, residential flair, Soltice bariatric chair is designed to provide an inviting and supportive experience.

# Key Features

---



## **A** Inviting Design

Traditional with a residential flair, bariatric chairs provide a welcoming and supportive experience.

## **B** Supportive Comfort

Provides 30" seat width to accommodate various body sizes and seating preferences. Supports ease of ingress and egress with 19" seat height.

## **C** Arm Options

Available as armless, open (wood) arm and closed (upholstered) arm. Optional arm caps can be specified with wood or black poly.

## **D** Wallsaver Leg

Standard on all units with nylon glide at the bottom of each foot.

## **E** Durability

Lifetime structural warranty, 600-pound weight rating, and field replacement parts extend product lifespan.

## **F** Cleanability

Push-thru design ensures debris does not get trapped between the seat and base.

## **G** Material Options

Choose from Pallas Textiles, KI ingrade, or COM upholstery options. Specify as matching or contrasting fabric with the option to add a moisture barrier. Various wood finish options are available for the wood open arms and base.

# Styles

---



Open Arm

W34.5" D28" H32"

Seat: W29.5" D18.75" H19"

Arm Height: 27"



Closed Arm

W34.5" D28" H32"

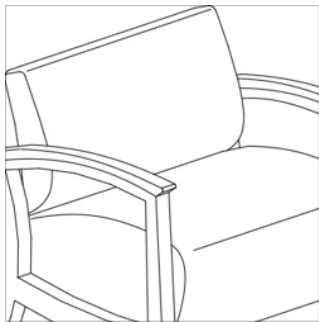
Seat: W30" D18.75" H19"

Arm Height: 27"

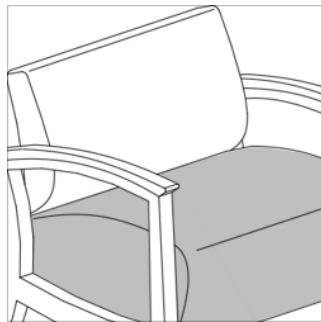
# Options

---

## Upholstery



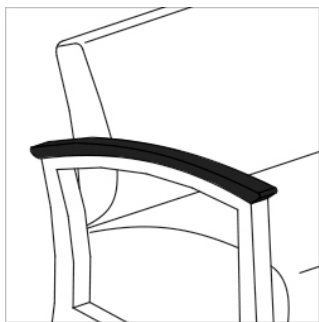
Non-Contrast



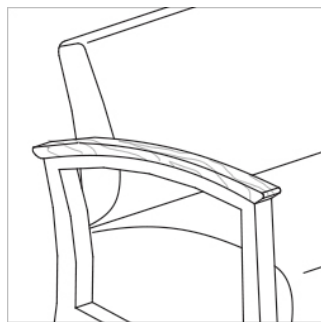
Contrast

## Arm Caps

\*Available on Open and Closed Arm



Black Poly



Wood

## Document Links

---

[Brochure →](#)

[Pricing →](#)

[Photography →](#)

[CAD/Revit Symbols →](#)

[Documents →](#)

[Material Approvals →](#)

## Soltice Collection

---

Elevate healthcare and public spaces with the Soltice Collection, where timeless design meets residential warmth for a welcoming, comfort-driven experience.



[Guest Chair >](#)



[Multiple Seating >](#)



[Lounge Seating >](#)



[Bariatric Chair >](#)



[Sleeper >](#)



[Recliners >](#)



[Occasional Tables >](#)

---

WARRANTY

**Lifetime**

[View Terms & Conditions](#)

WEIGHT RATING

**600 lbs.**