



Affina[®] Recliners



Providing an intuitive solution for patient care, Affina recliners support user needs and functionality through various styles, features, and attachments.

Key Features



A Sophisticated Design

Each recliner is designed to provide a supportive experience with a sophisticated aesthetic.

B Reclining Comfort

Recliner: 3-position recline (70°/60°/30°)
Recliner I.5 and Recliner II: Infinite back tilt recline and independent ottoman engagement
Optional on All: Trendelenburg recline
**Exception: Bariatric Recliner II*

C Locking Casters

Recliner: Individual manual-locking 3" rear casters, front non-locking casters
Recliner I.5: Individual manual-locking 3" casters (all)
Recliner II: Simultaneous central-locking 5" casters (all), compression-locking casters on retractable footrest

D Optional Arm Caps

Available as wood, black poly, or solid surface.

E Optional Tablet Arms

Available as top and side articulating in laminate or veneer. Side articulating tablet arms available on right side only for recliner I.5 and II.

F Soft-Touch Handles

Recliner: Available with angled soft-touch handles
Recliner I.5 and II: Available with vertical soft-touch handles

G Powered Components

Heat and massage available on Recliner I.5 and II. USB power available when heat and massage are specified.

H Back Styles

Choose from two distinct back styles: high-back and wingback.

I Bariatric Support

Recliner II offers models with expanded dimensions and 600-pound weight capacity for inclusive comfort.

J Additional Attachments

Optional I.V. pole, catheter hook, and magazine pouch attachments available on all recliners.

K Material Selection

Choose from Pallas Textiles, KI Ingrade, or COM upholstery options. Specify as matching or contrasting fabric with the option to add moisture barrier. Optional Seam Saver™ protection on recliner I.5 and II. Various wood finish options are available for the wood arm caps.

L Cleanability

Convenient push-thru design ensures debris does not get trapped between the seat and base.

Styles

Recliners



Closed Arm

W30" D35.5" H47"

Seat: W23.75" D20.5" H19.5"

Arm Height: 25.25"



Side-Mounted Fold-Down
Tablet

W30" D35.5" H47"

Tablet: W18.06" D13.81"

Seat: W23.75" D20.5" H19.5"

Arm Height: 25.25"

*Available Left- or Right-Facing



Top-Mounted Revolving Tablet

W30" D35.5" H47"

Tablet: W18" D10.6"

Seat: W23.75" D20.5" H19.5"

Arm Height: 25.25"

*Available Left- or Right-Facing

1.5 Recliners



Closed Arm

W33" D36.5" H44"

Seat: W24" D20" H22"

Arm Height: 27.5"



Side-Mounted Fold-Down
Tablet

W33" D36.5" H44"

Tablet: W18.06" D13.81"

Seat: W24" D20" H22"

Arm Height: 27.5"

*Available on Right-Facing



Top-Mounted Revolving Tablet

W33" D36.5" H44"

Tablet: W18" D10.6"

Seat: W24" D20" H22"

Arm Height: 27.5"

*Available Left- or Right-Facing

II Recliners



Closed Arm
W33.5" D36.5" H46"
Seat: W24" D20" H22"
Arm Height: 27.5"



Side-Mounted Fold-Down
Tablet
W33.5" D36.5" H46"
Tablet: W18.06" D13.81"
Seat: W24" D20" H22"
Arm Height: 27.5"

*Available on Right-Facing



Top-Mounted Revolving Tablet
W33.5" D36.5" H46"
Tablet: W18" D10.6"
Seat: W24" D20" H22"
Arm Height: 27.5"

*Available Left- or Right-Facing

II Bariatric Recliners

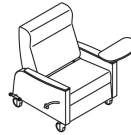


Closed Arm
W38" D36.5" H46"
Seat: W28.5" D21.5" H22"
Arm Height: 27.5"



Side-Mounted Fold-Down
Tablet
W38" D36.5" H46"
Tablet: W18.06" D13.81"
Seat: W28.5" D21.5" H22"
Arm Height: 27.5"

*Available on Right-Facing

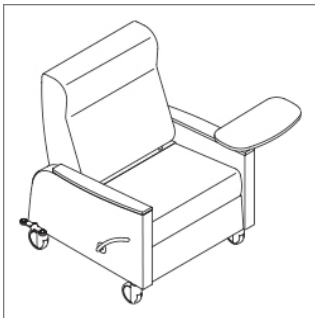


Top-Mounted Revolving Tablet
W38" D36.5" H46"
Tablet: W18" D10.6"
Seat: W28.5" D21.5" H22"
Arm Height: 27.5"

*Available Left- or Right-Facing

Options

Upholstery

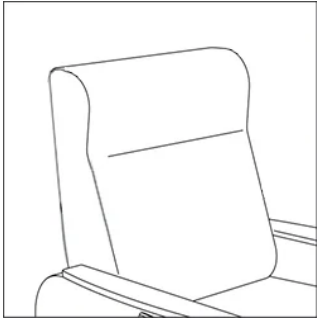


Non-Contrast

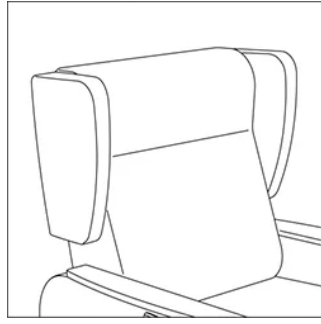


Contrast

Wingback



Without

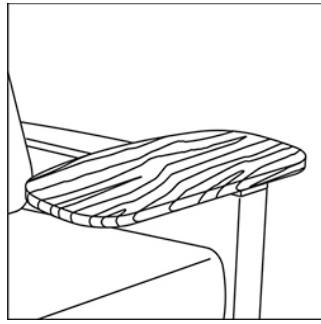


With

Tablet Arm Surface

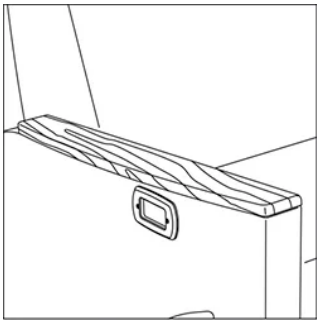


Laminate

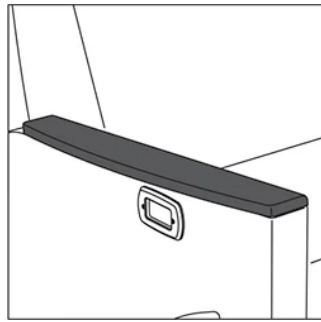


Veneer

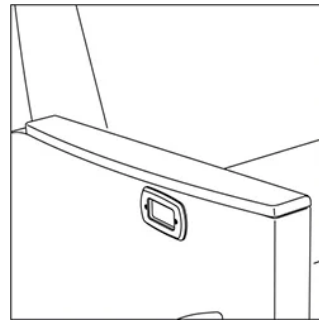
Arm Caps



Wood

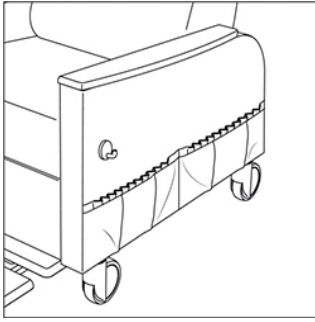


Poly



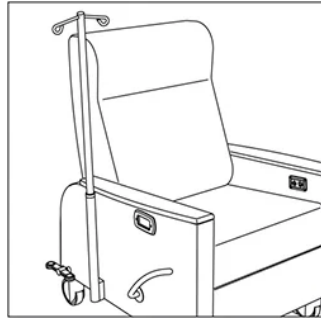
Solid Surface

Attachments

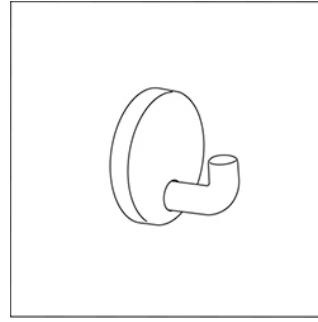


Magazine Pouch

*Available Right Side Only on I.5 and II

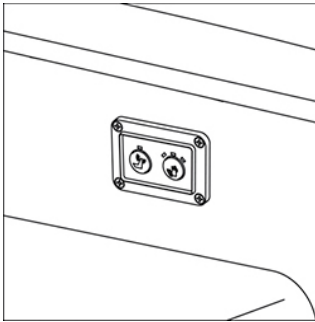


I.V. Pole



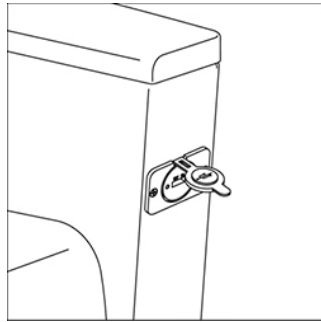
Catheter Bag Attachment

Powered Components



Heat and Massage

*Available Only on I.5 and II



USB-A Charging

*Available on I.5 and II when Specified with Heat and Massage

Document Links

[Pricing →](#)

[Brochure →](#)

[Video →](#)

[Photography →](#)

[CAD/Revit Symbols →](#)

[Documents →](#)

[Material Approvals →](#)

Affina Collection

From first impressions to limitless expressions, Affina is the height of sophistication. Its elegant style hints of romance and history, intertwined with a contemporary and highly customizable design. It effortlessly balances the essentials with the enviable, the indispensable with the inspirational.



Baraitric Chair >



Guest Chair >



Lounge Seating >



Multiple Seating >



Occasional Tables >



Recliners >



Sleepers >

WARRANTY

Lifetime

[View Terms & Conditions](#)

WEIGHT RATING

**Recliner:
400 lbs.**

WEIGHT RATING

**Recliner 1.5:
600 lbs.**

WEIGHT RATING

**Recliner II:
600 lbs.**