



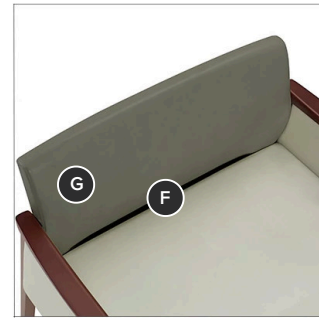
## Affina® Bariatric Chair



Offering inclusive comfort for all users, Affina bariatric chairs are welcoming and supportive with a sophisticated design.

# Key Features

---



## **A** Sophisticated Design

Harmonize a variety of environments with welcoming comfort contemporary design.

## **B** Inclusive Comfort

Designed for ease of ingress and egress to support user safety with a 19" seat height. A supportive 30" seat width and a 600-pound weight rating provides additional comfort.

## **C** Arm Options

Available with open (wood) arms and closed (upholstered) arms. Optional wood or black poly arm caps available.

## **D** Wallsaver Design

Angled leg design prevents wall damage.

## **E** Glide Options

Choose from nylon, polycarbonate, rubber, and felt glides.

## **F** Cleanability

Convenient cleanout design ensures debris does not get trapped between the seat and base. Elevated base design allows for easy cleaning beneath seat.

## **G** Material Selection

Choose from Pallas Textiles, KI ingrade, or COM upholstery options. Specify as matching or contrasting fabric with the option to add a moisture barrier. Various wood finish options are available for the wood open arms and base.

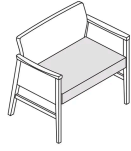
# Styles

---



Open Arm

W34" D23.75" H31.5"  
Seat: W30" D19" H19"  
Arm Height: 27"



Closed Arm

W34" D23.75" H31.5"  
Seat: W30" D19" H19"  
Arm Height: 27"

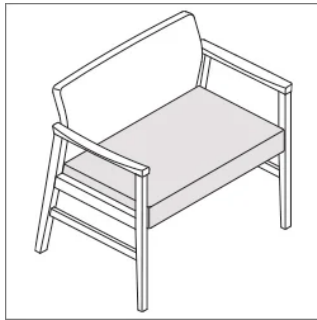
# Options

---

## Upholstery

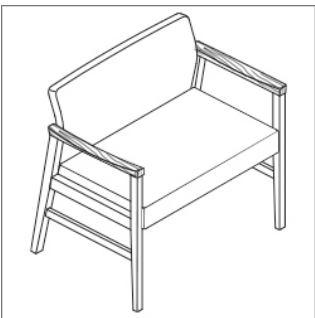


Non-Contrast

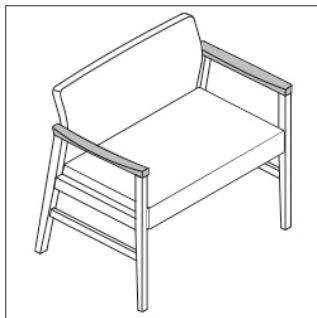


Contrast

## Arm Caps



Wood



Poly

## Document Links

---

[Brochure →](#)

[Pricing →](#)

[Video →](#)

[Photography →](#)

[CAD/Revit Symbols →](#)

[Documents →](#)

[Material Approvals →](#)

## Affina Collection

---

From first impressions to limitless expressions, Affina is the height of sophistication. Its elegant style hints of romance and history, intertwined with a contemporary and highly customizable design. It effortlessly balances the essentials with the enviable, the indispensable with the inspirational.



[Baraitric Chair >](#)



[Guest Chair >](#)



[Lounge Seating >](#)



[Multiple Seating >](#)



[Occasional Tables >](#)



[Recliners >](#)



[Sleepers >](#)

WARRANTY

**Lifetime**

[View Terms & Conditions](#)

WEIGHT RATING

**600 lbs.**